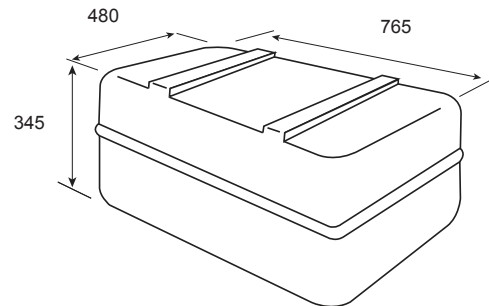
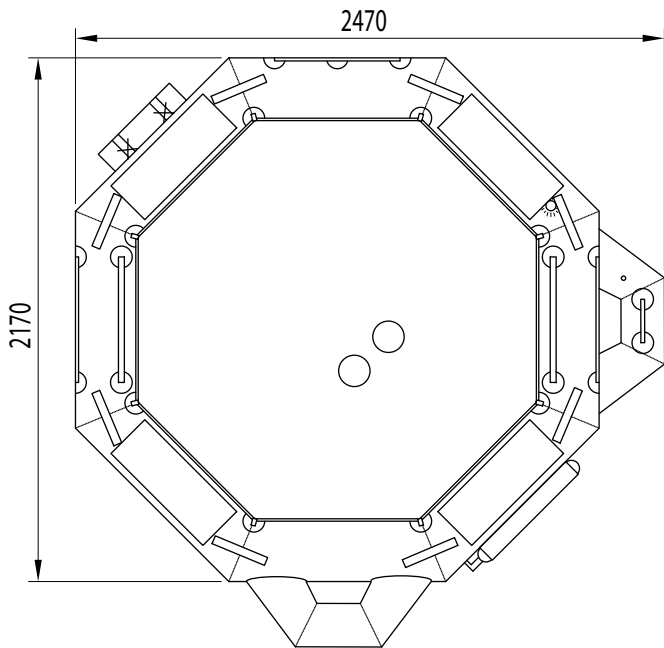
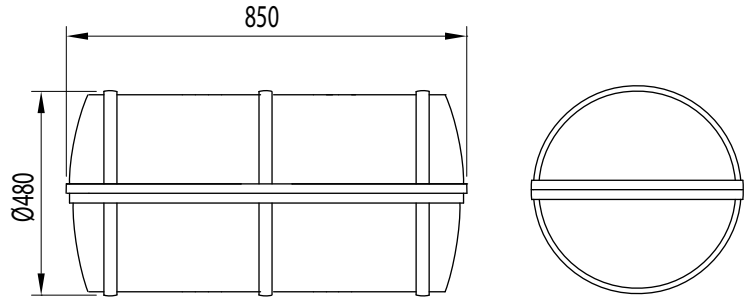
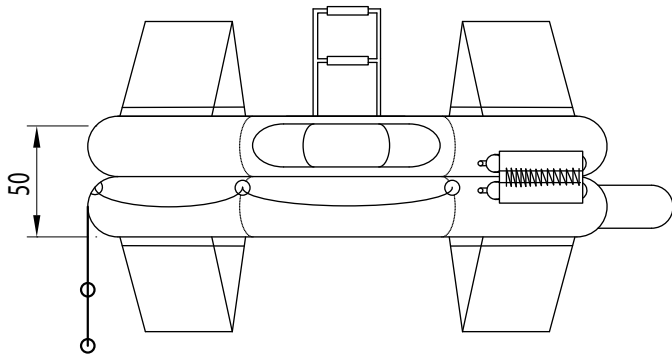




Service Commercial Europe
 Radeaux Plaisance & Professionnel
 S.A.V. et location
Nautic Service Sauvetage Le Havre
 Tél : 02 35 51 75 30 - Fax : 02 35 45 70 85
 Mail : sales@nssma.fr
 www.seasafe.fr

KHK-6 MAN OPEN TYPE REVERSIBLE INFLATABLE LIFERAFT HSC PACK

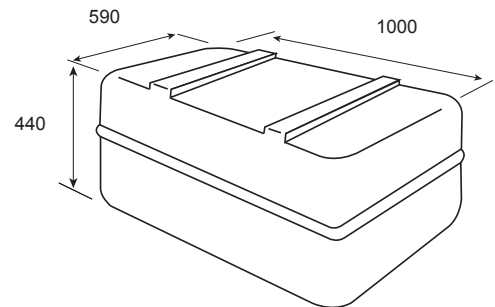
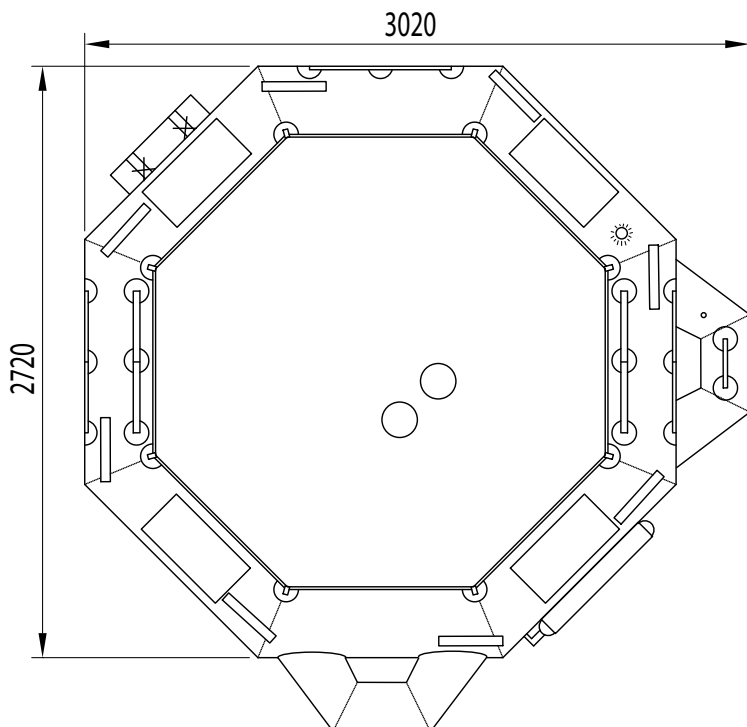
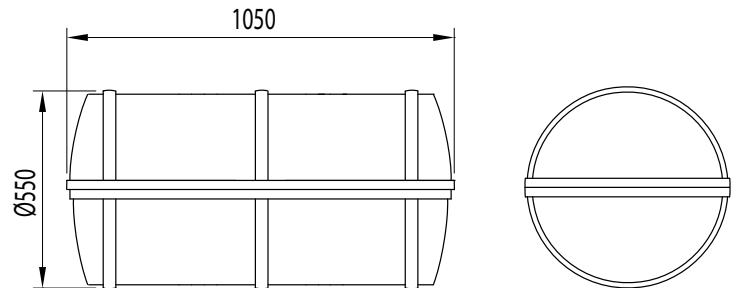
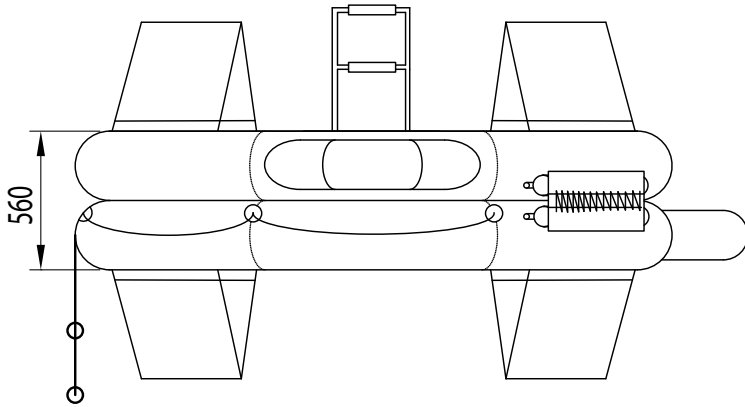


| KHK-6 | HSC PACK |
|---------------------------------------|-----------------|
| Maximum height of stowage (Meters) | 10 |
| Standard painter line length (Meters) | 20 |
| Gas cylinders (Liters) | 2 X 3 |
| Weight in container (Kg) | 49 |
| Round container dimensions (Mm) | 850 X 480 |
| Flat container dimensions (Mm) | 470 X 760 X 345 |
| Packaging dimensions (Cm) | 77 X 50 X 49 |
| MED approval by | GL |



Service Commercial Europe
 Radeaux Plaisance & Professionnel
 S.A.V. et location
Nautic Service Sauvetage Le Havre
 Tél : 02 35 51 75 30 - Fax : 02 35 45 70 85
 Mail : sales@nssma.fr
 www.seasafe.fr

KHK-10 MAN OPEN TYPE REVERSIBLE INFLATABLE LIFERAFT HSC PACK

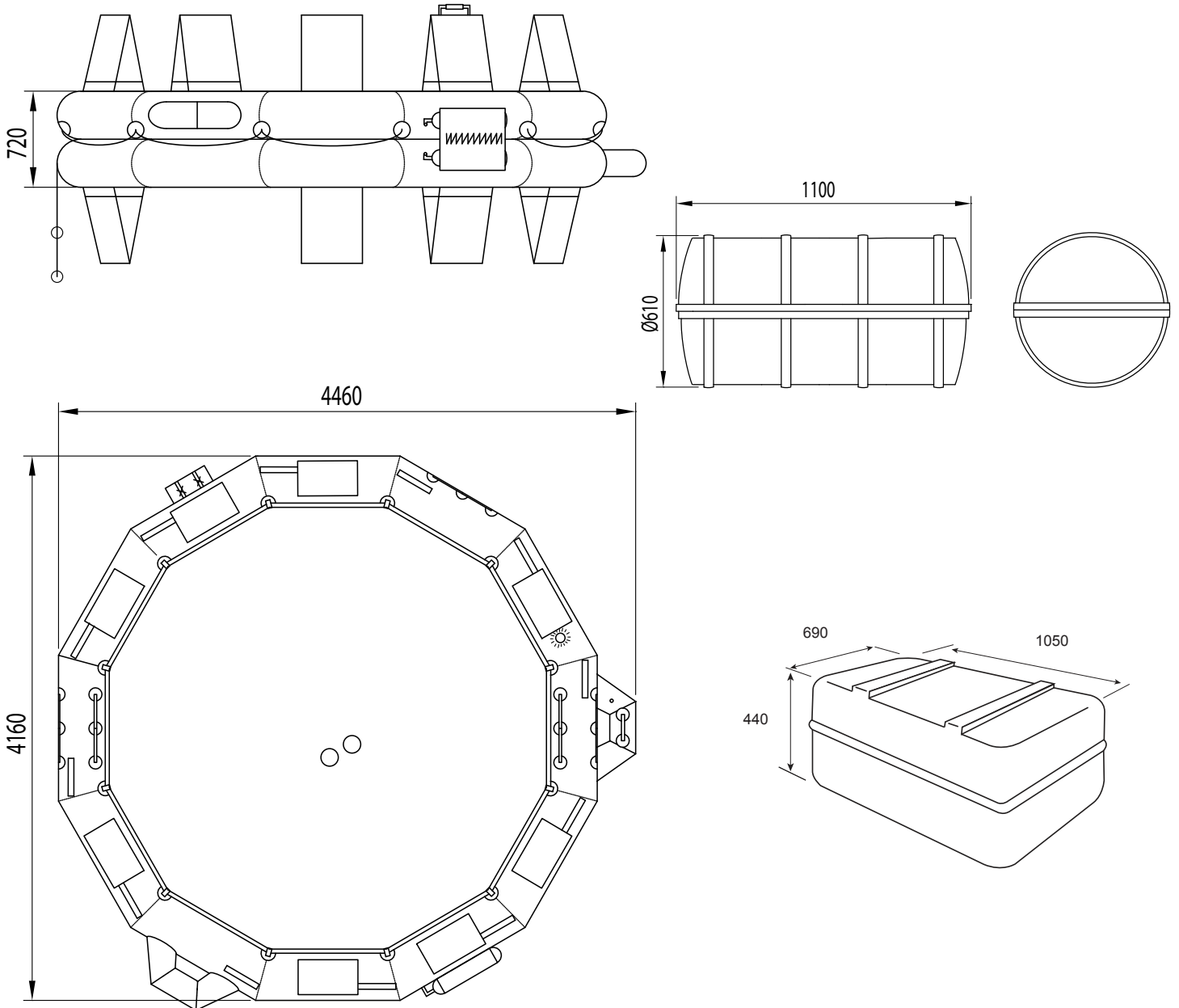


| KHK-10 | HSC PACK |
|---------------------------------------|-------------------|
| Maximum height of stowage (Meters) | 10 |
| Standard painter line length (Meters) | 20 |
| Gas cylinders (Liters) | 2 X 3 |
| Weight in container (Kg) | 66 |
| Round container dimensions (Mm) | 1 050 X 550 |
| Flat container dimensions (Mm) | 1 000 X 590 X 440 |
| Packaging dimensions (Cm) | 110 X 68 X 70 |
| MED approval by | GL |



Service Commercial Europe
 Radeaux Plaisance & Professionnel
 S.A.V. et location
Nautic Service Sauvetage Le Havre
 Tél : 02 35 51 75 30 - Fax : 02 35 45 70 85
 Mail : sales@nssma.fr
 www.seasafe.fr

KHK-25 MAN OPEN TYPE REVERSIBLE INFLATABLE LIFERAFT HSC PACK

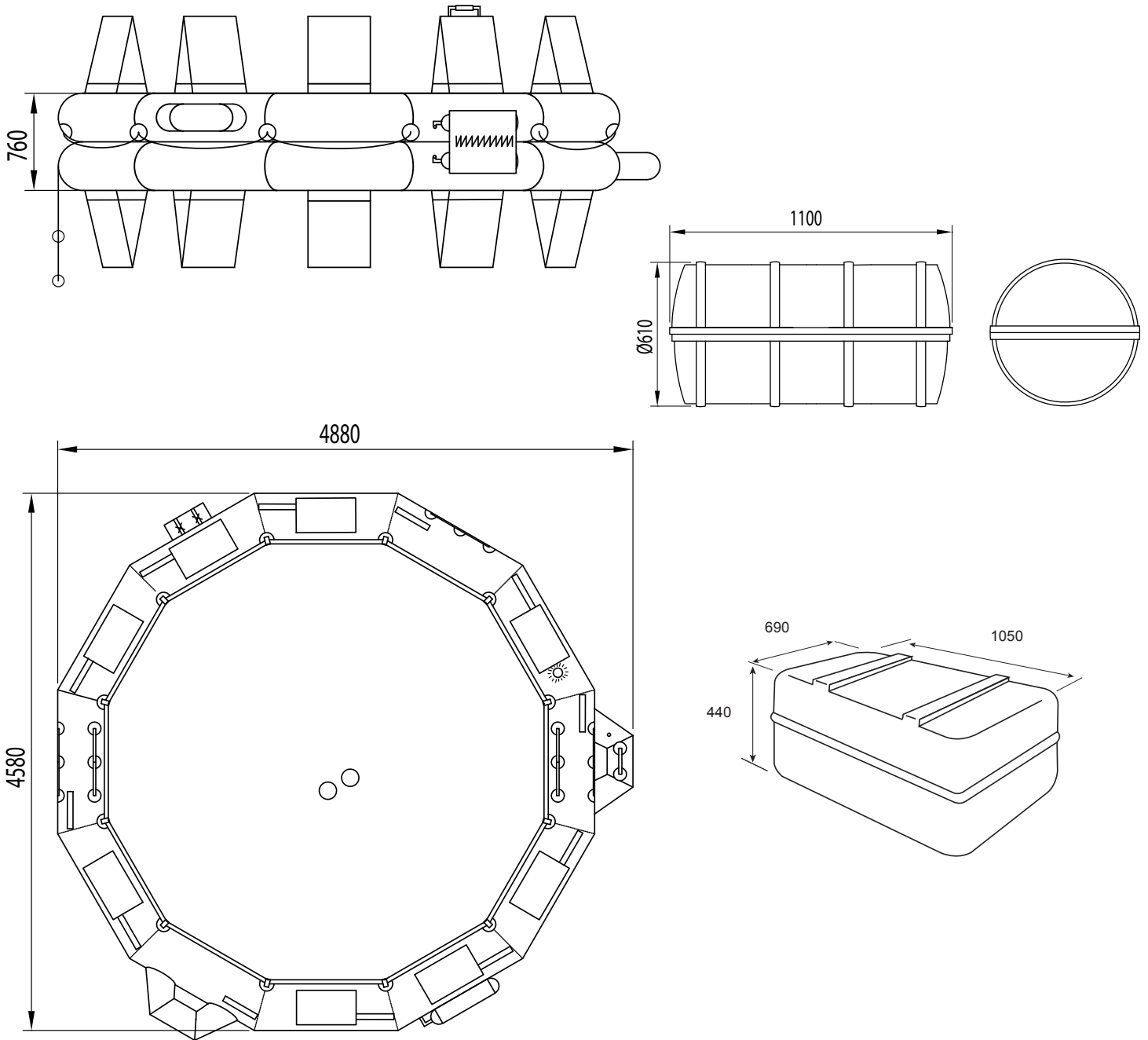


| KHK-25 | HSC PACK |
|---------------------------------------|-------------------|
| Maximum height of stowage (Meters) | 10 |
| Standard painter line length (Meters) | 20 |
| Gas cylinders (Liters) | 2 X 6 |
| Weight in container (Kg) | 99 |
| Round container dimensions (Mm) | 1 100 X 610 |
| Flat container dimensions (Mm) | 1 050 X 690 X 440 |
| Packaging dimensions (Cm) | 120 X 69 X 72 |
| MED approval by | GL |



Service Commercial Europe
 Radeaux Plaisance & Professionnel
 S.A.V. et location
Nautic Service Sauvetage Le Havre
 Tél : 02 35 51 75 30 - Fax : 02 35 45 70 85
 Mail : sales@nssma.fr
 www.seasafe.fr

KHK-30 MAN OPEN TYPE REVERSIBLE INFLATABLE LIFERAFT HSC PACK

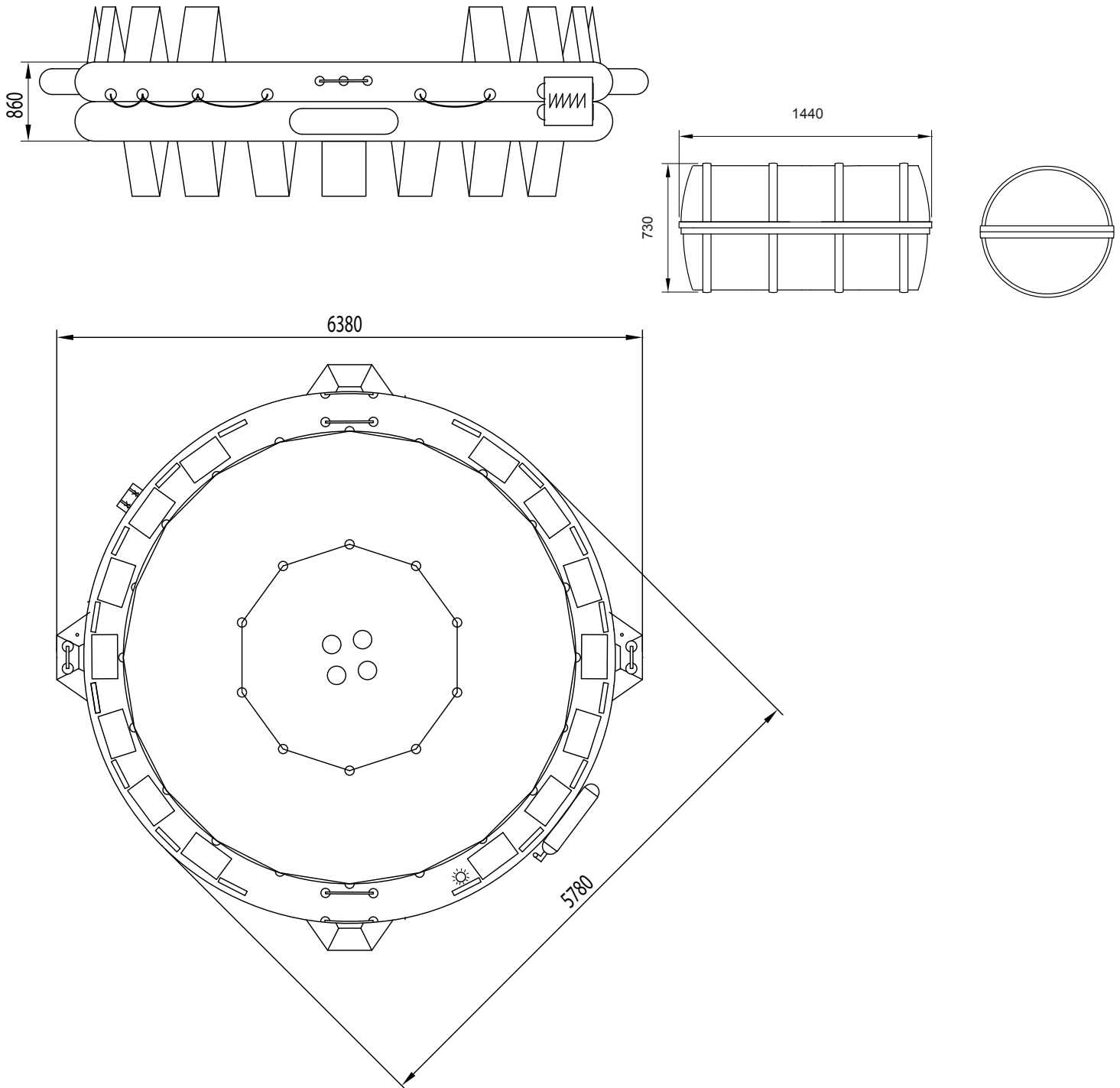


| KHK-30 | HSC PACK |
|---------------------------------------|-------------------|
| Maximum height of stowage (Meters) | 10 |
| Standard painter line length (Meters) | 20 |
| Gas cylinders (Liters) | 2 X 7 |
| Weight in container (Kg) | 116 |
| Round container dimensions (Mm) | 1 100 X 610 |
| Flat container dimensions (Mm) | 1 050 X 690 X 440 |
| Packaging dimensions (Cm) | 120 X 71 X 71 |
| MED approval by | GL |



Service Commercial Europe
 Radeaux Plaisance & Professionnel
 S.A.V. et location
Nautic Service Sauvetage Le Havre
 Tél : 02 35 51 75 30 - Fax : 02 35 45 70 85
 Mail : sales@nssma.fr
 www.seasafe.fr

KHK-50 MAN OPEN TYPE REVERSIBLE INFLATABLE LIFERAFT HSC PACK

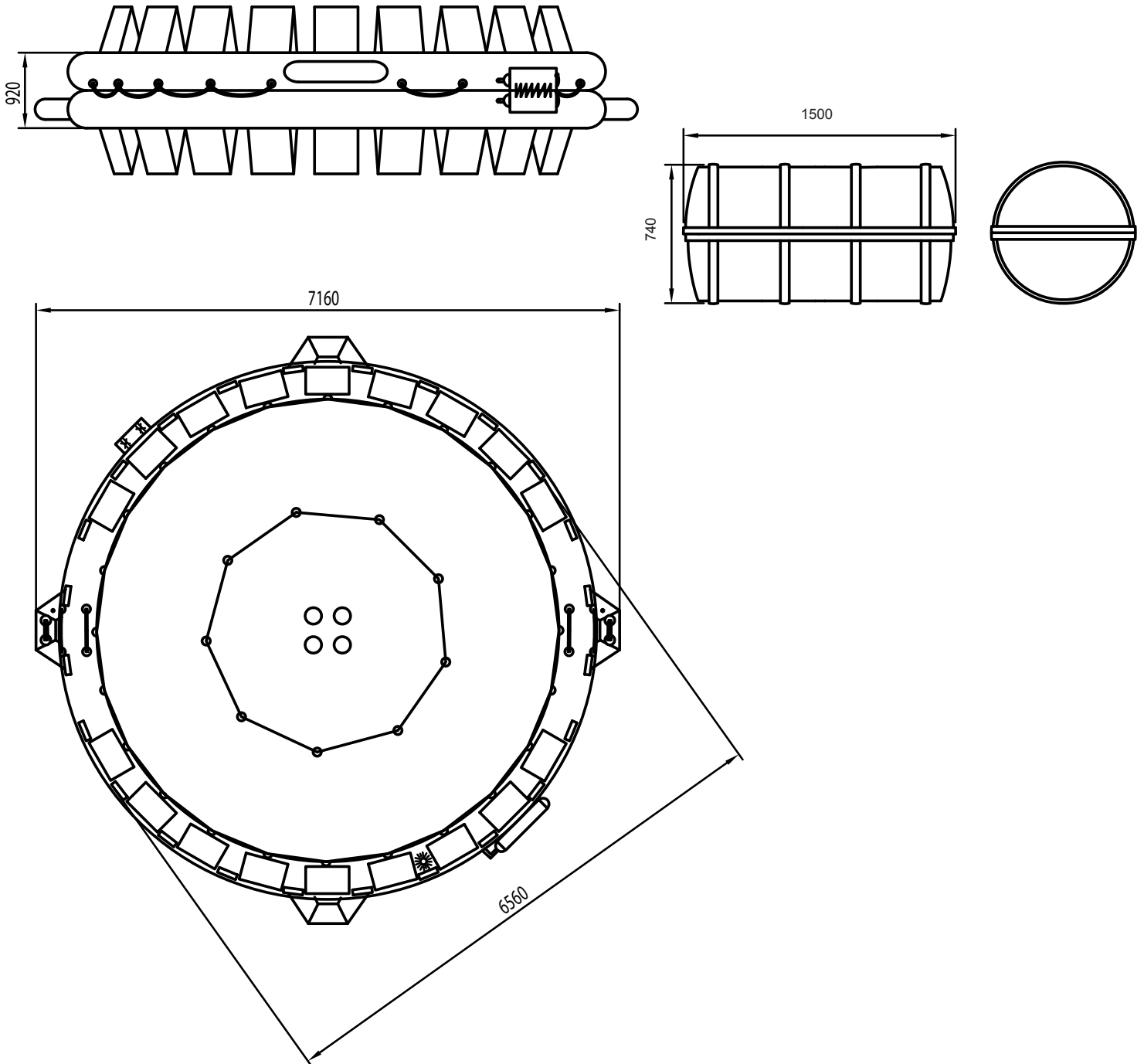


| KHK-50 | HSC PACK |
|---------------------------------------|---------------|
| Maximum height of stowage (Meters) | 10 |
| Standard painter line length (Meters) | 20 |
| Gas cylinders (Liters) | 2 X 14 |
| Weight in container (Kg) | 168 |
| Container dimensions (Mm) | 1 440 X 730 |
| Packaging dimensions (Cm) | 155 X 82 X 79 |
| MED approval by | GL |



Service Commercial Europe
 Radeaux Plaisance & Professionnel
 S.A.V. et location
Nautic Service Sauvetage Le Havre
 Tél : 02 35 51 75 30 - Fax : 02 35 45 70 85
 Mail : sales@nssma.fr
 www.seasafe.fr

KHK-65 MAN OPEN TYPE REVERSIBLE INFLATABLE LIFERAFT HSC PACK



| KHK-65 | HSC PACK |
|---------------------------------------|---------------|
| Maximum height of stowage (Meters) | 10 |
| Standard painter line length (Meters) | 20 |
| Gas cylinders (Liters) | 2 X 18 |
| Weight in container (Kg) | 185 |
| Container dimensions (Mm) | 1 500 X 740 |
| Packaging dimensions (Cm) | 160 X 84 X 80 |
| MED approval by | GL |

SEA-SAFE



Service Commercial Europe
Radeaux Plaisance & Professionnel
S.A.V. et location

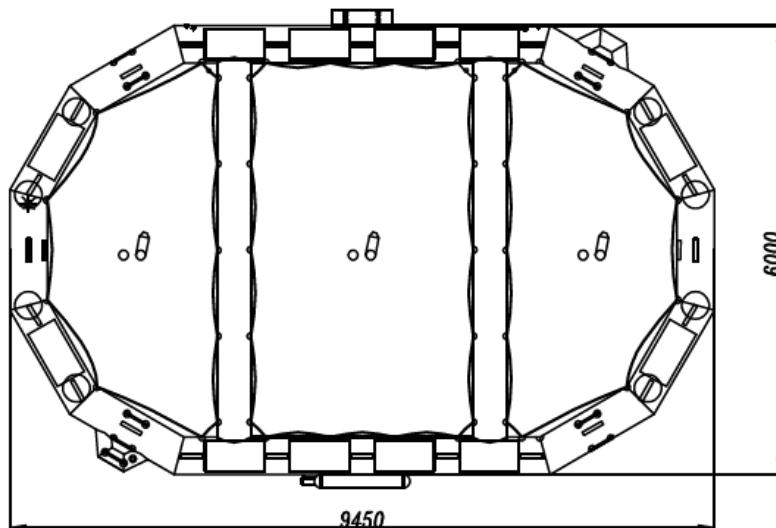
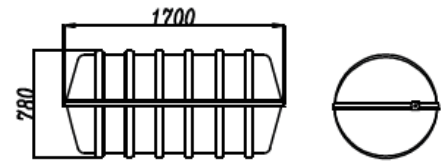
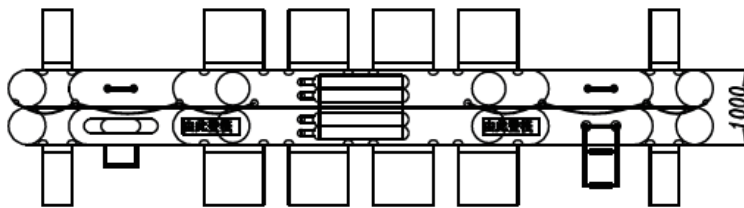
Nautic Service Sauvetage Le Havre

Tél : 02 35 51 75 30 - Fax : 02 35 45 70 85

Mail : sales@nssma.fr

www.seasafe.fr

KHK-100 MAN OPEN TYPE REVERSIBLE INFLATABLE LIFERAFT HSC PACK



| KHK-100 | HSC PACK |
|---------------------------------------|------------------|
| Maximum height of storage (Meters) | 10 |
| Standard painter line length (Meters) | 20 |
| Gas cylinders (Liters) | 4 x 14 |
| Weight in container (Kg) | 275 |
| Container dimensions (mm) | 1700 x 780 |
| Packaging dimensions (cm) | 1800 x 880 x 850 |
| MED approval by | GL |