

# Whale's Tough Lightweight Proven Pump - Tried tested and trusted by sailors for decades

- High flow rate: 105 ltrs (28 US gals) per minute
- Quick maintenance
  - Clamping ring is easily removed for pump head rotation
- Tough, lightweight proven design
- 2 mounting options - bulkhead and thru deck models
- Suitable for use on boats over 12 m (40 ft)

## 5 Year Warranty

### Tips

It is important to ensure that a vented anti-syphon loop is incorporated in the system

## Awards and Accreditations

- Suitable as a primary bilge pump on boats equal to or greater than 12 m (40 ft) accordance with ISO15083

## COMPLETE YOUR SYSTEM

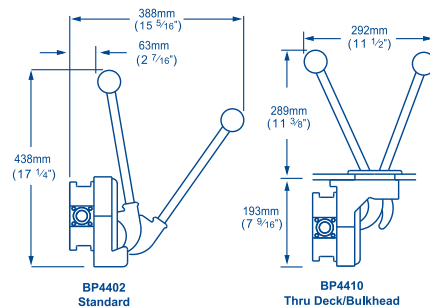
bilge accessories including non-return valves, elbows and Y pieces see page 40 - 43



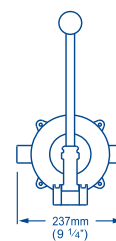
## Product Information

### Model Specifications

Model	On Deck BP4402	Thru Deck / Bulkhead BP4410
Product Code	BP4402	BP4410
Weight	1.5 kg (3.3 lbs)	1.85 kg (4.1 lbs)
Hose Connections	38 mm (1½") Smooth Hose Connections	
Materials	Pump Body: Glass-filled Polypropylene, Clamp Ring: Acetal Diaphragm and Valves: Neoprene, (Nitrile® option available) Operating Lever: Glass-filled Nylon, Gaiter: EPDM Fasteners: Stainless Steel	
Materials In Contact With Fluid	Glass-filled Polypropylene, Acetal, Neoprene, Nitrile®	
Service Kits	<b>AK4400 - Neoprene Parts</b> <b>AK4419 - Nitrile® Parts for Oil and Diesel</b> Contains: Diaphragm, Valves, Seals <b>AK4400 - Whale Gusher Titan Neoprene</b> (for on deck installations) - diaphragm, valves and fixings <b>AK4419 - Whale Gusher Titan Nitrile®</b> (for below deck installations) - diaphragm, valves and fixings <b>AS4406 - Whale Gusher Titan - Standard Lever Kit</b> <b>AS4407 - Whale Gusher Titan - Standard Clamping Ring Kit</b> <b>AS4408 - Whale Gusher Titan - Operating Lever U/Deck</b> <b>AS4409 - Whale Gusher Titan - UnderDeck Clamping Ring Kit</b> <b>AS4412 - Whale Gusher Titan - Clamping Plate Kit</b> <b>AS3725 - Gaiter Kit For Deckplates</b> (for underdeck models - Gusher 30 and 10, Titan, Urchin, MarkV)	
Accessories	<b>DP8904 - Deck Plate Kit for BP4410 only</b> <b>AS4405 - Spare Handle</b>	
Maximum Suction Lift	4 m (13.5 ft)	
Maximum Discharge Head	4 m (13.5 ft)	



Side View



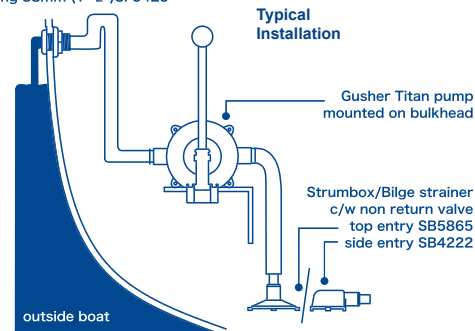
Plan View

### Performance Data

Product Code	BP4402 / BP4410	BP4402 / BP4410
Suction Lift	1 m (3 ft)	2 m (6 ft)
Discharge Head	0.5 m (1.5 ft)	0.5 m (1.5 ft)
45 Strokes per Minute	67 ltrs (18 US gals)	65 ltrs (17 US gals)
70 Strokes per Minute	105 ltrs (28 US gals)	98 ltrs (26 US gals)

Note: These specifications are retail items only.  
For details of our bulk pack range for boat builders and wholesalers - contact Whale Support.

Skin fitting 38mm (1½")SF5425

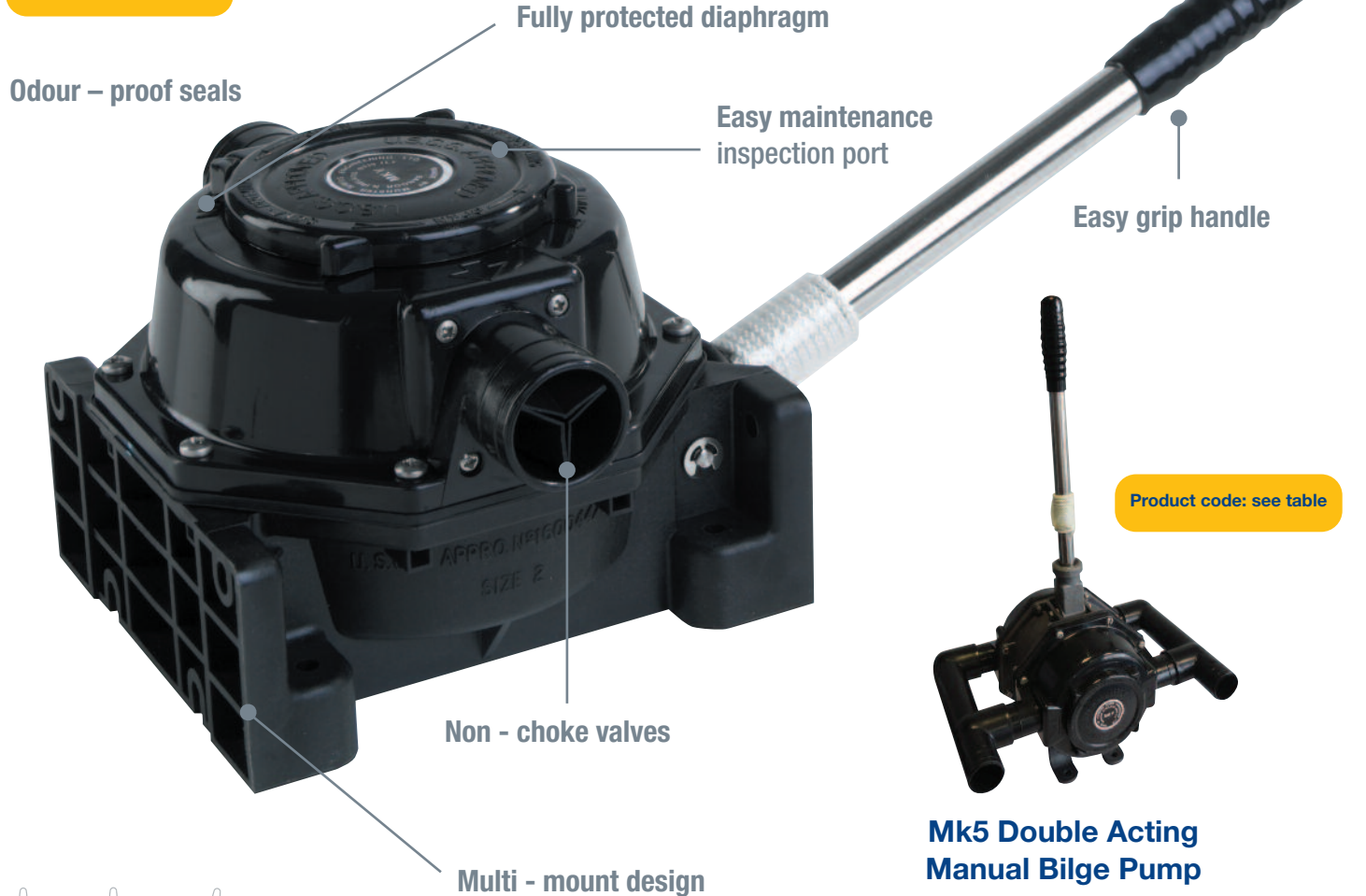


# Mk5 Range

## Tough proven, reliable designs available with single or double acting capabilities

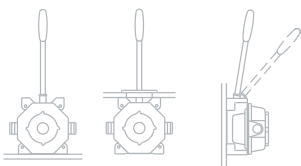
Whale's most versatile high performance pump design.  
3 mounting orientations - 1 pump

Product code: see table



### Mk5 Double Acting Manual Bilge Pump

High output - 104 ltrs (23 US gals) per minute  
Twin diaphragms - empty 2 bilge compartments at the same time or one twice as quickly - 2 manifolds supplied



On-Deck Front view   Thru-Deck Front view   On-Bulkhead Side View  
3 mounting options in 1 pump