

# Daniamant



## SL-500 Survival Craft Internal Light

Installation and Maintenance Instructions



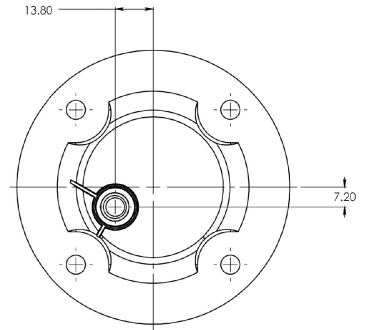
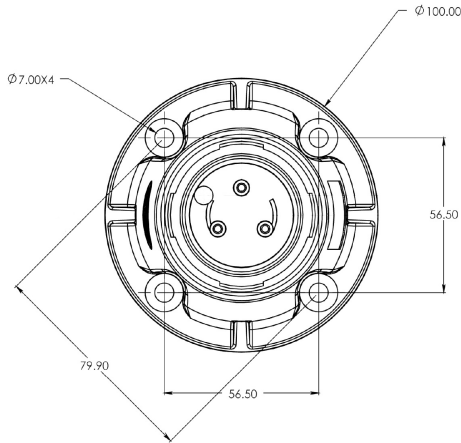
### Description

The SL-500 light is intended for motorised survival craft and to be connected to the crafts 12V electrical system. It is approved to SOLAS regulations and uses a robust high intensity LED.

### Daniamant Limited

Unit 3, The Admiral Park, Airport Service Road, Portsmouth, UK PO3 5RQ  
Telephone: +44 (0)23 9267 5100 Facsimile: +44 (0)23 9267 5101  
[www.daniamant.com](http://www.daniamant.com)





## Installation

1. Use four screws  $\varnothing 6$ .
2. Connect cable to the external power-supply (10–30 VDC). Observe correct polarity.

## Maintenance

### Routine service

The SL-500 is maintenance free, but the following checks should be made periodically (e.g. annually):

1. Inspect visually to ensure the casing is undamaged and that no component parts are missing or damaged. If damaged, the unit is to be replaced.
2. Ensure that the light functions. If the light fails to function, the unit is to be replaced.

Please note there are no user serviceable parts inside this light. If the light fails to illuminate during test, it needs to be replaced. Tampering with the unit will void any warranty.

## Product Disposal Instructions

Daniamant's Survivor Location Lights contain batteries as well as electrical and electronic components, and must therefore be segregated from the domestic waste stream and recycled. Disposing of this product correctly will help save valuable resources and prevent any potential negative effects on human health and the environment, which could otherwise arise from inappropriate waste handling. Daniamant's lights are marked with the symbol below which conveys that this waste must be treated separately from household waste.

To ensure compliance with the WEEE and Battery Regulations, the Survivor Location Lights placed on the market in the UK or Denmark should be returned to Daniamant in the UK or Denmark, or deposited in your nearest WEEE Designated Collection Facility, operated by your Local Authority.



Further copies of this installation and maintenance instructions are available to download from our website [www.daniamant.com](http://www.daniamant.com)  
A copy of these instructions must be held with the ships/owners training manual.